

Monteringsanvisning / Assembly Instructions / Aufbauanleitung

Skoltång utan trämaterial

Vise AV15

Zange für Selbermacher AV-15



(x1)



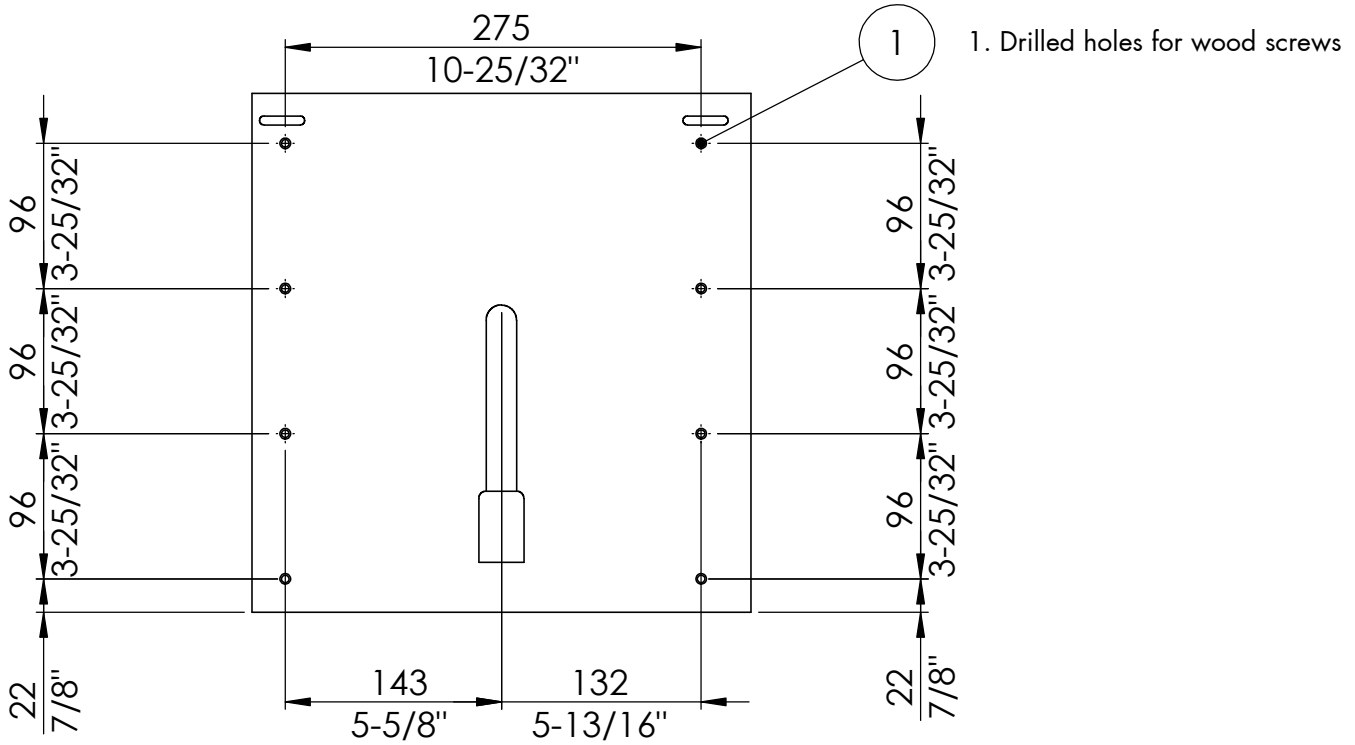
(x2)



5x45 (x2)

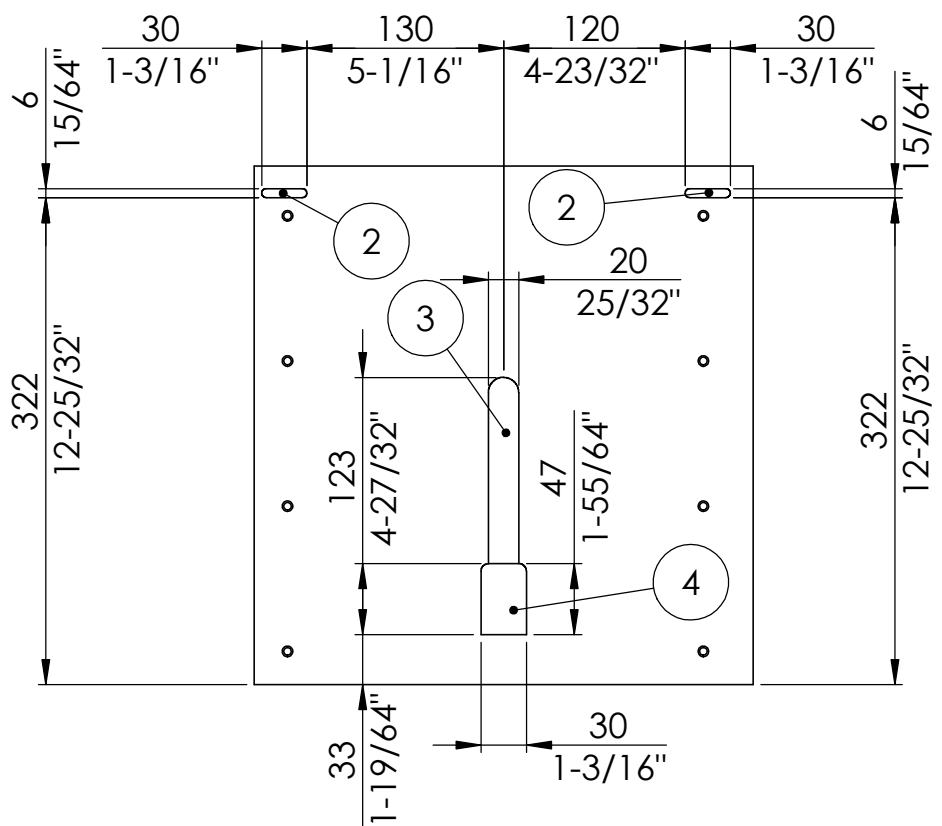


T20-N4 (x1)



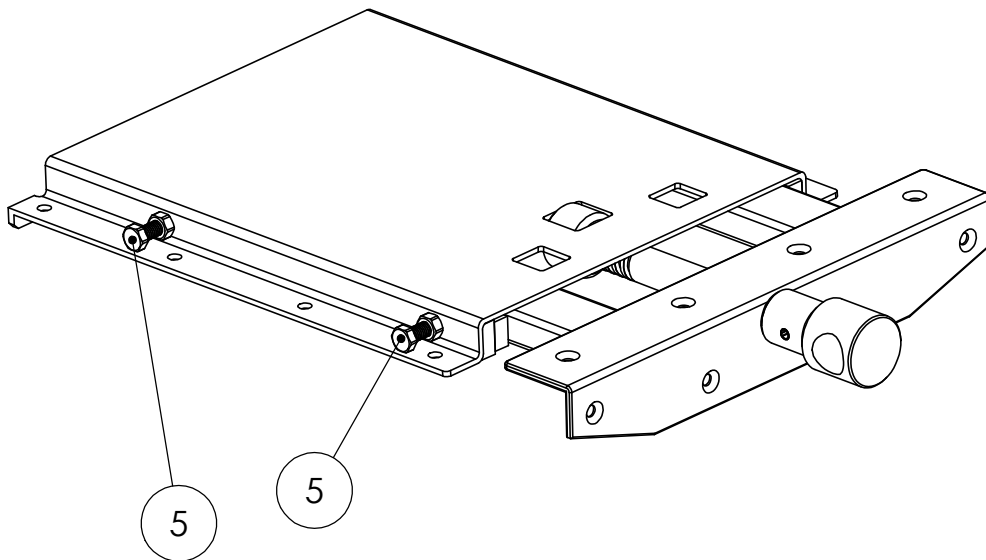
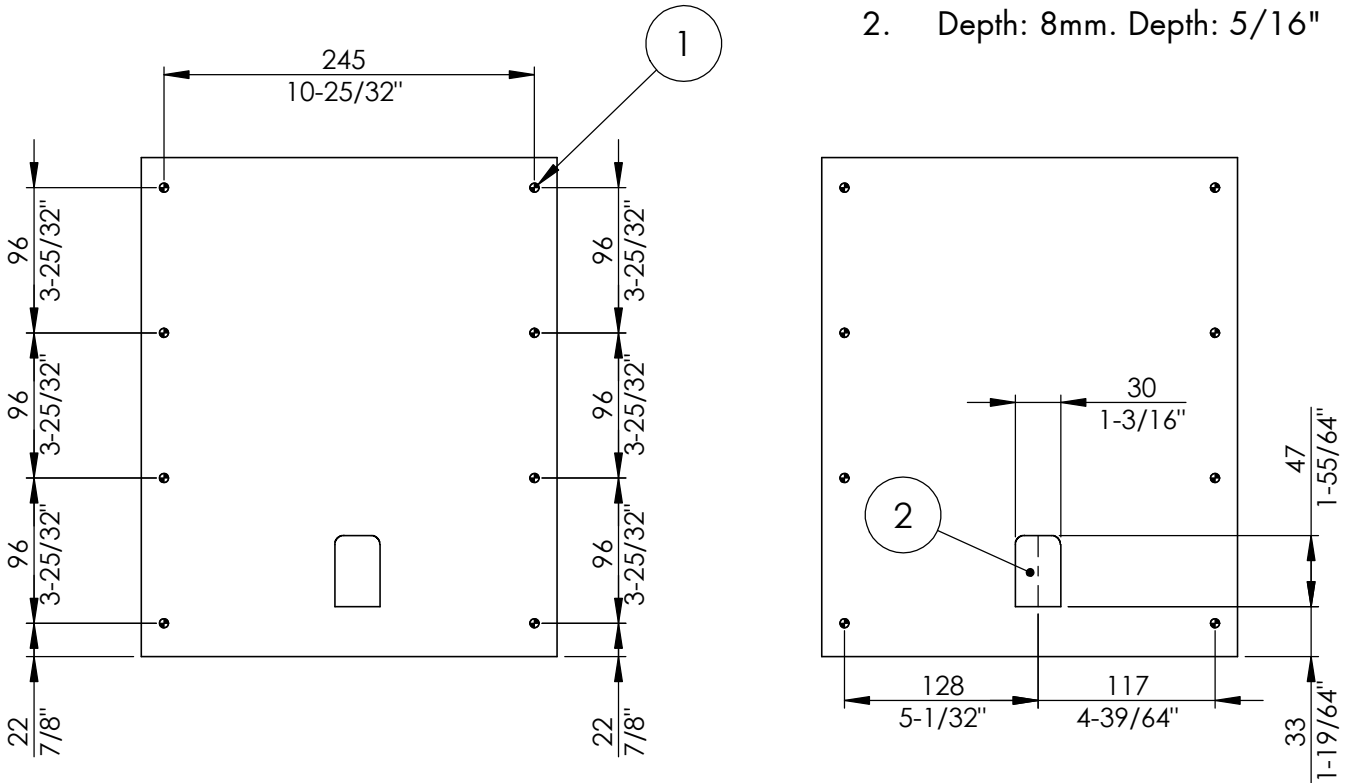
1. Drilled holes for wood screws

- 2: Depth: 13mm. Depth: 1/2"
- 3: Depth: 3mm. Depth: 1/8"
- 4: Depth: 8mm. Depth: 5/16"



Skoltång utan trämaterial - Vise AV25 - Zange für Selbermacher AV-25

1. Drilled holes for wood screws
2. Depth: 8mm. Depth: 5/16"



5. When the vice is stiff, loosen the adjustable screws.
When the vice is loose, tighten the adjustable screws.



SJÖBERGS WORKBENCHES AB
SE-576 95 Stockaryd Sweden
Tel +46 (0)382-25700
office@sjobergs.se sjobergs.se

